

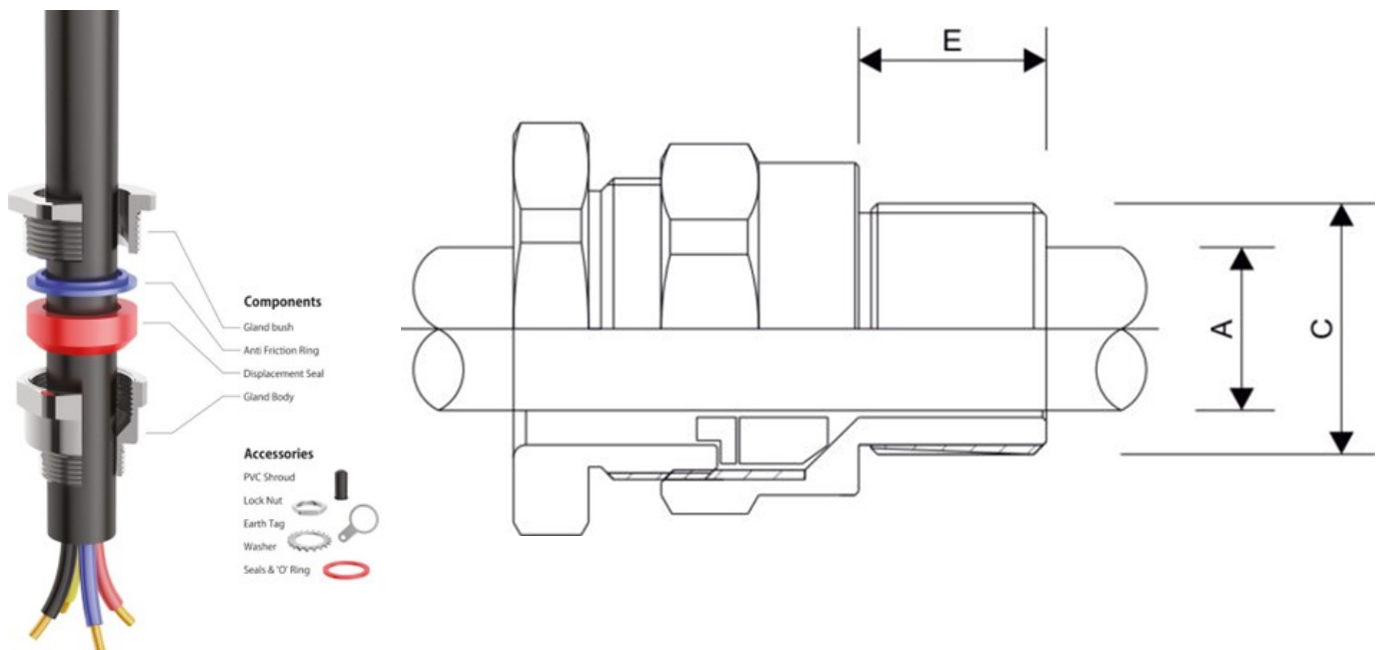
A1/ A2 Type Unarmoured Glands

For indoor and outdoor glanding of unarmoured pvc or rubber sheathed circular cables.

Nickel Plated Brass / Metric Thread / Locknut / IP66 & IP68 (with seal) / Displacement Seal
 Temperature: Standard seal (Nitrile) -20°C to +80°C. On request (Silicone) -60°C to +180°C
 Accessories: PVC/LSF Shrouds , Earth Tags , Locknuts
 Also available on request in Stainless Steel (304 or 316L) & Aluminium (6082)
 Standards: EN 62444:2013 Cert No: ET/LVD/2018/1157



Maser Gland Code	Gland Size Metric	Metric Thread "C"	Thread Length (mm) "E"	Min. Cable Diameter (mm) "A"	Max. Cable Diameter (mm) "A"
MM-A1A2-20S16	20S16	M20	10	3.2	8.7
MM-A1A2-20S	20S	M20	10	6.1	11.7
MM-A1A2-20L	20L	M20	10	6.5	14.0
MM-A1A2-25L	25L	M25	10	11.1	20.0
MM-A1A2-32L	32L	M32	10	17.0	26.3
MM-A1A2-40L	40L	M40	15	23.5	32.2
MM-A1A2-50S	50S	M50	15	31.0	38.2
MM-A1A2-50L	50L	M50	15	35.6	44.0
MM-A1A2-63S	63S	M63	15	41.5	49.9
MM-A1A2-63L	63L	M63	15	47.3	55.9
MM-A1A2-75S	75S	M75	15	54.0	61.9
MM-A1A2-75L	75L	M75	15	61.2	67.9
MM-A1A2-90L	90L	M90	20	66.6	79.9



Disclaimer: Although Maser Communications NZ Limited makes every reasonable effort to ensure their accuracy at the time of this publication, information and specifications described herein are subject to error or omission and to change without notice. Maser provides the information and specifications herein on an "AS IS" basis, with no representations or warranties, whether express, statutory or implied. In no event will Maser be liable for any damages (including consequential, indirect, incidental, special, punitive, or exemplary damages) whatsoever, even if Maser has been advised of the possibility of such damages, whether in an action under contract, negligence or any other theory, arising out of or in connection with the use, or inability to use, the information or specifications described herein.